

TRANSPORT, LAGERUNG, AUSSERBETRIEBNAHME UND ENTSORGUNG

Beim Transport des Gerätes sind folgende Punkte zu beachten:

- Gerät nicht stürzen oder werfen, immer vorsichtig absetzen.
- Geeignete Transportmittel verwenden. Diese richten sich nach den örtlichen Gegebenheiten.

Bei der Lagerung oder der vorübergehenden Außerbetriebnahme des Gerätes sind folgende Punkte zu beachten:

- Das Gerät an einem sauberen, trockenen und möglichst frostfreien Ort lagern.
- Das Gerät vor Verschmutzung, Feuchtigkeit und Schäden durch eine geeignete Abdeckung schützen.
- Soll das Gerät nach der Außerbetriebnahme wieder zum Einsatz kommen, ist es zuvor einer erneuten Prüfung durch eine befähigte Person zu unterziehen.

Entsorgung:

Nach Außerbetriebnahme sind die Teile des Gerätes und gegebenenfalls die Betriebsstoffe (Öle, Fette, etc.) entsprechend den gesetzlichen Bestimmungen der Wiederverwertung zuzuführen bzw. zu entsorgen.

Weitere Informationen und Betriebsanleitungen zum Download sind unter www.cmco.eu zu finden!

Beschreibung

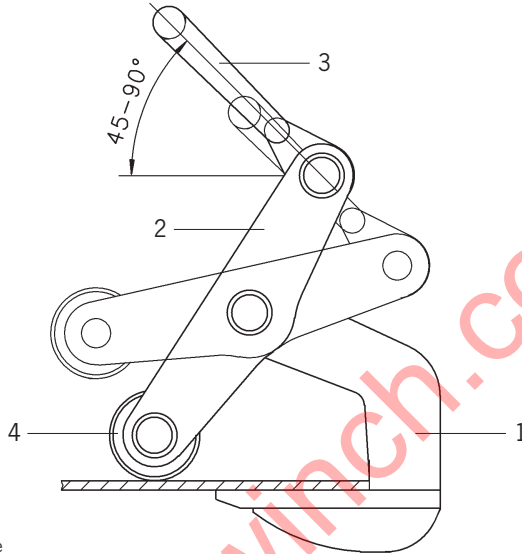
- 1 Grundkörper
- 2 Klemmarm
- 3 Aufhängeöse
- 4 Rolle oder Platte

Description

- 1 Body
- 2 Clamping arm
- 3 Hookring
- 4 Rollers or plate

Description

- 1 Corps
- 2 Bras
- 3 Anneau de suspension
- 4 Galet ou mâchoire dentée



Modell	Tragfähigkeit*	Greifbereich	Gewicht mit Rolle**	Gewicht mit Platte**
Model	Capacity*	Jaw capacity	Weight with rollers**	Weight with plate**
Modèle	Capacité*	Capacité de préhension	Poids avec galet**	Poids avec mâchoire dentée**
	[kg]	[mm]	[kg]	[kg]
TWH 30	1.500	5 - 60	5,6	5,7
TWH 50	2.500	10 - 70	10,3	10,3
TWH 70	3.500	10 - 80	13,4	13,5
TWH 100	5.000	10 - 102	27,7	27,8

*Pro Paar (Neigungswinkel bis max. 45°)

*Per pair (inclination angle up to 45°)

*Par paire (Angle d'ouverture 45°)

**Pro Stück

**Per unit

**Par unité

Tab. 1

www.hoistandwinch.co.uk

TIGRIP®



TIGRIP

EN - Translated Operating Instructions (Also applicable for special versions)

Lifting clamp

TWH

Columbus McKinnon Industrial Products GmbH
Yale-Allee 30
42329 Wuppertal
Germany



Table of Contents

Introduction 13

Correct Operation..... 13

Incorrect Operation 14

Inspection Before Initial Operation..... 16

Inspections Before Starting Work 16

Usage Of The Load Lifting Attachment..... 17

Inspection / Service..... 17

Transport, Storage, Decommissioning and Disposal 18

www.hoistandwinch.co.uk

INTRODUCTION

Products of CMCO Industrial Products GmbH have been built in accordance with the state-of-the-art and generally accepted engineering standards. Nonetheless, incorrect handling when using the products may cause dangers to life and limb of the user or third parties and/or damage to the hoist or other property.

The operating personnel must have been instructed before starting work. For this purpose, all operators must read these operating instructions carefully prior to the initial operation.

These operating instructions are intended to acquaint the user with the product and enable him to use it to the full extent of its intended capabilities. The operating instructions contain important information on how to operate the product in a safe, correct and economic way. Acting in accordance with these instructions helps to avoid dangers, reduce repair costs and downtimes and to increase the reliability and lifetime of the product. The instructions must always be available at the place where the product is operated. Apart from the operating instructions and the accident prevention act valid for the respective country and area where the product is used, the commonly accepted regulations for safe and professional work must also be adhered to.

The personnel responsible for operation, maintenance or repair of the product must read, understand and follow these operating instructions.

The indicated protective measures will only provide the necessary safety, if the product is operated correctly and installed and/or maintained according to the instructions. The operating company is committed to ensure safe and trouble-free operation of the product.

CORRECT OPERATION

The load lifting attachment is used for transporting single horizontal standard sheets and bundles of sheet packages which are subject to slight deflection during transport. The jaw capacity must be observed (Tab. 1).

Any different or exceeding use is considered incorrect. Columbus McKinnon Industrial Products GmbH will not accept any liability for damage resulting from such use. The risk is borne by the user/operating company alone.

The load lifting attachment is suitable for all loads of steel and other materials which withstand the forces introduced via the load lifting attachment and which can be fully entered into the mouth of the clamp.

The load capacity indicated on the unit is the maximum working load limit (WLL) that may be attached.

Do not allow personnel to stay or pass under a suspended load.

A lifted or clamped load must not be left unattended or remain lifted or clamped for a longer period of time.

The operator may start moving the load only after it has been attached correctly and all persons are clear of the danger zone.

When suspending the load lifting attachment, the operator must ensure that neither the load lifting attachment, the suspension (e.g. hook, shackle, etc.) nor the load pose a danger to himself or other personnel.

Prior to operation of the load lifting attachment in special atmospheres (high humidity, salty, caustic, alkaline) or handling hazardous goods (e.g. molten compounds, radioactive materials) consult the manufacturer for advice.

The load lifting attachment may be used at ambient temperatures between -40°C and $+100^{\circ}\text{C}$.

Models with protective lining may be used at temperatures between -20°C and $+60^{\circ}\text{C}$. Consult the manufacturer in the case of extreme working conditions.

Two-legged lifting gear is only suitable for small plates with low weights, for which sway during transport can be compensated by hand. When attaching the load lifting attachment, it must be ensured that the centre of gravity of the load is in the middle between the load lifting attachments so that no inclined position is caused. In combination with a spreader beam, two sets of two-legged lifting gear are suitable for universal applications.

Always transport the load slowly, carefully and close to the ground.

Only use crane hooks with a safety latch.

The suspension eye of the load lifting attachment must have sufficient space in the crane hook and be freely articulating.

In the case of malfunctions, stop using the load lifting attachment immediately.

INCORRECT OPERATION

(list not complete)

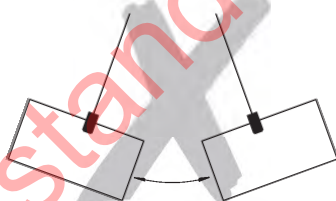
Do not exceed the rated load capacity (WLL) of the unit.

Only loads within the specified jaw capacity must be picked up. The min. dimensions of the load must always be complied with in particular for load lifting attachments with a jaw capacity that does not start with 0.

Any modifications of the load lifting attachment are prohibited.

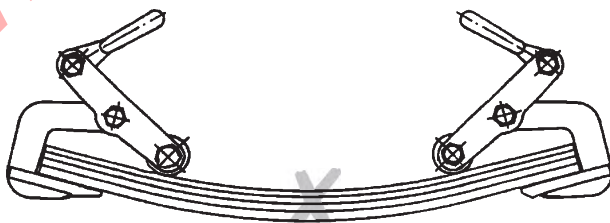
It is forbidden to use the load lifting attachment for the transportation of persons.

When transporting loads ensure that the load does not swing or come into contact with other objects.

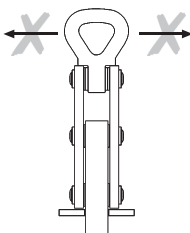


Only one sheet metal plate or bundle of sheets may be transported at a time with the load lifting attachment.

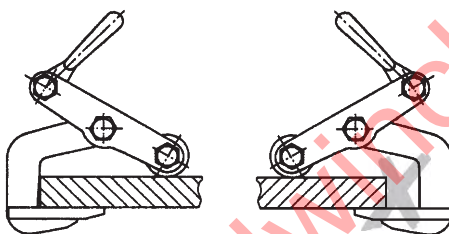
It is forbidden to transport single sheets and bundles of sheets which are subject to major deflection during transport, since the sheets may slip out of the clamp.



It is forbidden to apply lateral tensile forces to the load lifting attachment.

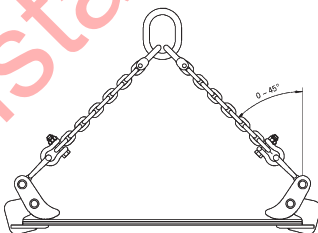


Always insert the load fully into the mouth of the clamp.



Do not use the base frame for lifting further load lifting attachments or for attaching loads by means of ropes, belts or chains.

The clamps must be arranged on the load in such a way that inclination angle β never is larger than 45° .



If more than 2 load lifting attachments are used, a spreader beam must be used in order to avoid impermissible lateral tensile forces.

Do not allow the load lifting attachment to fall from a large height.

The unit must not be used in potentially explosive atmospheres.

INSPECTION BEFORE INITIAL OPERATION

According to national and international accident prevention and safety regulations load lifting attachment must be inspected:

- in accordance with the risk assessment of the operating company,
- prior to initial operation,
- before the unit is put into service again following a shut down
- after substantial changes,
- however, at least once per year, by a competent person.

Attention: Actual operating conditions (e.g. operation in galvanizing facilities) can dictate shorter inspection intervals.

Repair work may only be carried out by specialist workshops that use original TIGRIP spare parts. The inspection (mainly consisting of a visual inspection and a function check) must determine that all safety devices are complete and fully operational and cover the condition of the unit, suspension, equipment and supporting structure with regard to damage, wear, corrosion or any other alterations.

Initial operation and recurring inspections must be documented (e.g. in the CMCO works certificate of compliance).

If required, the results of inspections and appropriate repairs must be verified.

Paint damage should be touched up in order to avoid corrosion. All joints and sliding surfaces should be slightly lubricated. In the case of heavy contamination, the unit must be cleaned.

INSPECTIONS BEFORE STARTING WORK

Check the complete load lifting attachment for damage, cracks or deformations.

The load lifting attachment must open and close easily and freely.

Load lifting attachment with protective lining (optional)

The surface of the protective lining must be free of grease and oil.

The protective lining must be replaced when the thickness is less than 2,5 mm.

Models with protective lining may be used at temperatures between -20 °C and +60 °C.

Checking the chain sling

Chain slings must be inspected at regular intervals in accordance with DIN 685-5. They must in particular be replaced in the event of wear exceeding 10% of the nominal thickness of the chain links.

Chain slings must be checked for outer defects, deformations, cracks, wear and pitting.

An elongated or worn chain must be replaced.

USAGE OF THE LOAD LIFTING ATTACHMENT

The lifting gear on the suspension (e.g. hook, shackle, etc.) is lowered so that the opened clamps can be pushed onto the load until it has fully entered the mouth of the clamp. For this purpose, the clamps must be arranged on the load in such a way that the assumed centre of gravity of the load to be transported is perpendicular below the suspension eye of the lifting gear.

By careful lifting, the clamping jaws or rollers are pressed against the load and it can be safely moved. At the end of the transport operation, the suspension (e.g. hook, shackle, etc.) must be lowered until the load lifting attachment is completely load-free and/or the suspension eye can be moved freely. Now the clamping jaws can be lifted and the clamps can be removed from the load.

INSPECTION / SERVICE

According to national and international accident prevention and safety regulations hoisting equipment must be inspected:

- in accordance with the risk assessment of the operating company,
- prior to initial operation,
- before the unit is put into service again following a shut down
- after substantial changes,
- however, at least once per year, by a competent person.

Attention: Actual operating conditions (e.g. operation in galvanizing facilities) can dictate shorter inspection intervals.

Repair work may only be carried out by specialist workshops that use original TIGRIP spare parts. The inspection (mainly consisting of a visual inspection and a function check) must determine that all safety devices are complete and fully operational and cover the condition of the unit, suspension, equipment and supporting structure with regard to damage, wear, corrosion or any other alterations.

Initial operation and recurring inspections must be documented (e.g. in the CMCO works certificate of compliance).

If required, the results of inspections and appropriate repairs must be verified.

Paint damage should be touched up in order to avoid corrosion. All joints and sliding surfaces should be slightly lubricated. In the case of heavy contamination, the unit must be cleaned.

Repairs may only be carried out by specialist workshops that use original TIGRIP spare parts.

After repairs have been carried out and after extended periods of non-use, the load lifting attachment must be inspected again before it is put into service again.

The inspections have to be initiated by the operating company.

TRANSPORT, STORAGE, DECOMMISSIONING AND DISPOSAL

Observe the following for transporting the unit:

- Do not drop or throw the unit, always deposit it carefully.
- Use suitable transport means. These depend on the local conditions.

Observe the following for storing or temporarily taking the unit out of service:

- Store the unit at a clean and dry place where there is no frost.
- Protect the unit against contamination, humidity and damage by means of a suitable cover.
- If the unit is to be used again after it has been taken out of service, it must first be inspected again by a competent person.

Disposal:

After taking the unit out of service, recycle or dispose of the parts of the unit and, if applicable, the operating material (oil, grease, etc.) in accordance with the legal regulations.

Further information and operating instructions for download can be found at www.cmco.eu!

Beschreibung

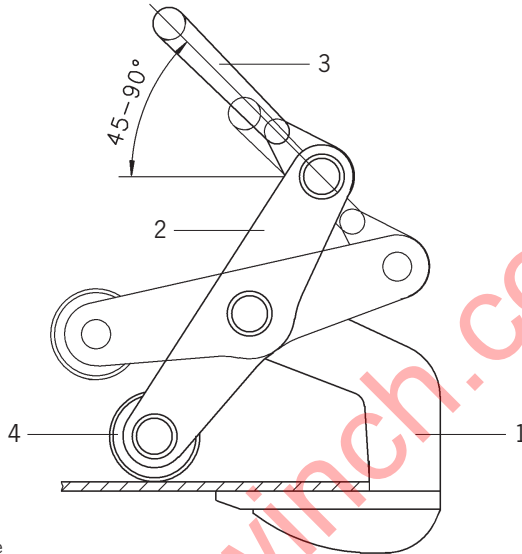
- 1 Grundkörper
- 2 Klemmarm
- 3 Aufhängeöse
- 4 Rolle oder Platte

Description

- 1 Body
- 2 Clamping arm
- 3 Hookring
- 4 Rollers or plate

Description

- 1 Corps
- 2 Bras
- 3 Anneau de suspension
- 4 Galet ou mâchoire dentée



Modell	Tragfähigkeit*	Greifbereich	Gewicht mit Rolle**	Gewicht mit Platte**
Model	Capacity*	Jaw capacity	Weight with rollers**	Weight with plate**
Modèle	Capacité*	Capacité de préhension	Poids avec galet**	Poids avec mâchoire dentée**
	[kg]	[mm]	[kg]	[kg]
TWH 30	1.500	5 - 60	5,6	5,7
TWH 50	2.500	10 - 70	10,3	10,3
TWH 70	3.500	10 - 80	13,4	13,5
TWH 100	5.000	10 - 102	27,7	27,8

*Pro Paar (Neigungswinkel bis max. 45°)

*Per pair (inclination angle up to 45°)

*Par paire (Angle d'ouverture 45°)

**Pro Stück

**Per unit

**Par unité

Tab. 1

www.hoistandwinch.co.uk

TIGRIP®



TIGRIP

FR - Traduction de mode d'emploi (Cela s'applique aussi aux autres versions)

Pinces à tôle

TWH

Columbus McKinnon Industrial Products GmbH

Yale-Allee 30

42329 Wuppertal

Allemagne

CMC
COLUMBUS MCKINNON

Table des Matières

Introduction	23
Utilisation correcte	23
Utilisation incorrecte.....	24
Inspection Avant Mise En Service.....	26
Inspection Avant De Commencer A Travailler.....	26
Fixation De La Charge.....	27
Inspection / Maintenance	27
Transport, Stockage Et Mise Hors Service	28

www.hoistandwinch.co.uk

INTRODUCTION

Les produits de CMCO Industrial Products GmbH ont été conçus en respectant l'état de l'art et les normes validées. Néanmoins une utilisation incorrecte du produit peut entraîner des dommages corporelles irréversibles à l'utilisateur et/ou des dommages au palan ou à un tiers. L'entreprise utilisatrice du produit est seul responsable de la formation correcte et professionnelle des opérateurs. Ainsi, tous les utilisateurs doivent lire attentivement les instructions de mise en service avant la 1ère utilisation.

Ces instructions doivent permettre à l'utilisateur de se familiariser avec le produit et de l'utiliser au maximum de ses capacités. Les instructions de mise en service contiennent des informations importantes sur la manière d'utiliser le palan de façon sûre, correcte et économique.

Agir conformément à ces instructions permet d'éviter les dangers, réduire les coûts de réparation, réduire les temps d'arrêt et augmenter la fiabilité et la durée de vie du palan. Le manuel d'instructions doit toujours être disponible sur le lieu d'utilisation du palan. En complément des instructions de mise en service et des réglementations relatives à la prévention des accidents, il faut tenir compte des règles en vigueur en matière de sécurité du travail et professionnelles dans chaque pays.

Le personnel responsable des opérations de maintenance et réparation du produit doivent avoir lu, compris et suivi les instructions.

Les mesures de protection indiquées fourniront seulement la sécurité nécessaire, si le produit est utilisé correctement et installé et/ou révisé selon les instructions. L'entreprise utilisatrice doit assurer le fonctionnement sûr et sans panne du produit.

UTILISATION CORRECTE

Cet appareil de levage est destiné au transport de tôles épaisses une par une en position horizontale et de lots de tôles soumis à une déflexion considérable au cours du transport. Respecter la capacité de préhension (Tab. 1).

N'importe quelle utilisation différente ou excessive est considérée comme incorrecte. Columbus McKinnon Industrial Products GmbH ne pourra être tenu responsable en cas de dommage durant une telle utilisation. Le risque est pris uniquement par l'utilisateur final.

Cet appareil de levage est adapté à toutes les charges en acier ou autres matériaux résistant aux forces induites par l'appareil de levage et s'insérant complètement dans les mâchoires de serrage.

La capacité de charge (WLL) indiquée sur l'appareil est le poids de charge maximal autorisé.

Il est interdit de passer ou de s'arrêter sous une charge suspendue.

Les charges ne doivent pas être suspendues, accrochées ou laissées sans surveillance trop longtemps.

L'utilisateur doit déclencher le déplacement de la charge uniquement après s'être assuré que la charge est bien fixée et que personne ne se trouve dans la zone de danger.

L'utilisateur doit s'assurer que l'appareil de levage (crochet, manille...) est fixé de façon à ce que ni celui-ci ni la charge, ne représentent de danger pour l'utilisateur ou le personnel.

Consulter le fabricant avant d'utiliser l'appareil dans des conditions particulières (environnement très humide, salé, corrosif, alcalin) ou pour la manipulation de matières dangereuses (mélanges en fusion, matériaux radioactifs).

L'appareil peut être utilisé dans une température ambiante comprise entre -40 °C et +100 °C.

Les modèles munis d'une protection peuvent être utilisés à une température comprise entre -20 °C et +60 °C. En cas de conditions extrêmes, contacter le fabricant.

Un appareil de suspension à deux pieds est uniquement adapté aux petites plaques légères dont le balancement pendant le transport peut être compensé manuellement. Lors de la fixation de l'appareil de levage, vérifier que le centre de gravité de la charge se trouve au centre, entre les appareils de levage pour éviter toute inclinaison.

En association avec un palonnier, il est nécessaire d'installer deux ensembles d'appareils de levage à deux pieds pour les applications universelles.

La charge doit toujours être transportée lentement, avec prudence et près du sol.

Utiliser uniquement des crochets de palan munis d'un loquet de sécurité

L'œillet de suspension de l'appareil doit avoir assez de place dans le crochet et s'articuler librement.

Si l'appareil est défaillant, cesser immédiatement de l'utiliser.

UTILISATION INCORRECTE

(liste non complète)

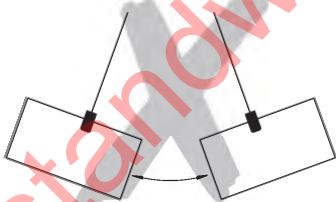
Ne pas dépasser la capacité de charge maximale (WLL).

Seules les charges comprises dans la capacité de préhension indiquée peuvent être soulevées. Les dimensions minimum de la charge doivent toujours être conformes en particulier pour les appareils de levage dont la capacité de préhension ne commence pas par 0.

Toute modification de l'appareil de levage est interdite.

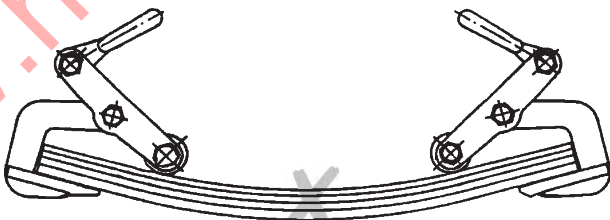
Il est interdit d'utiliser l'appareil de levage pour le transport de personnes.

Lors du transport de la charge, vérifier qu'elle ne se balance pas et qu'elle ne rentre pas en contact avec d'autres objets.

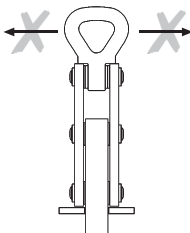


L'appareil de levage ne peut transporter qu'une seule tôle ou qu'un seul lot de tôles à la fois.

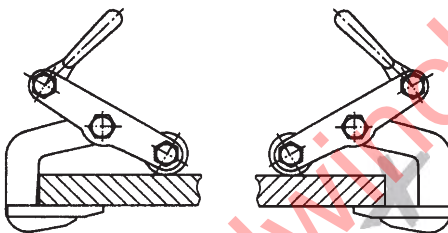
Il est interdit de transporter des tôles ou des lots de tôles soumis à une forte déflexion lors du transport. Elles risqueraient de glisser hors de la pince.



Il est interdit de soumettre l'appareil de levage à une force de traction latérale.

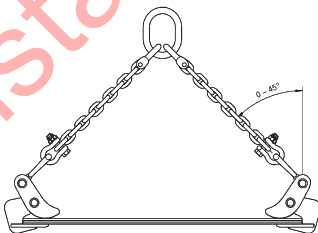


Insérer entièrement la charge dans les mâchoires de serrage.



Ne pas utiliser le châssis de base pour soulever d'autres appareils de levage ou pour attacher les charges avec des câbles, sangles ou chaînes.

Les pinces doivent être installées sur la charge de façon à ce que l'angle d'inclinaison β ne soit jamais supérieur à 45° .



Pour l'utilisation de plus de deux appareils de levage, un palonnier doit être employé pour éviter toute force de traction latérale.

Ne pas laisser tomber l'appareil de haut.

L'appareil ne doit pas être utilisé dans une atmosphère explosible.

INSPECTION AVANT MISE EN SERVICE

En concordance avec les réglementations nationales et internationales relatives à la prévention des accidents et des règles de sécurité, les appareils de levage doivent être inspectés :

- conformément à l'évaluation des risques en fonction de l'entreprise utilisatrice.
- Avant la première utilisation.
- Avant la mise en service de l'appareil après un arrêt d'utilisation.
- après des modifications substantielles.
- Au moins une fois par an par une personne compétente.

ATTENTION: Si les conditions d'utilisation (ex : utilisation en atmosphère agressive) sont plus difficiles, les inspections doivent être plus fréquentes.

Les réparations doivent être effectuées par un atelier agréé, qui utilise des pièces détachées TIGRIP d'origine. Les composants de l'appareil doivent être vérifiés (généralement la vérification consiste en une inspection visuelle et fonctionnelle) quant à leurs défauts, usure, corrosion ou autres irrégularités, et tous les dispositifs de sécurité doivent être testés quant à leur bon état et efficacité.

Les inspections initiales et suivantes doivent être enregistrées (ex : sur la documentation fournis par CMCO).

Si une assurance d'entreprise le demande, les résultats des inspections et des réparations doivent être vérifiés.

Les endroits où la peinture est détériorée ou absente doivent être repeints afin d'éviter les risques de corrosion. Tous les joints et les points de liaison doivent être légèrement lubrifiés. En cas de contamination, l'appareil doit être entièrement décontaminé.

INSPECTION AVANT DE COMMENCER A TRAVAILLER

Contrôler la détérioration, les craquelures ou les déformations de l'appareil de levage. L'appareil de levage doit s'ouvrir et se fermer facilement et librement.

Appareil de levage avec enveloppe de protection (en option)

La surface de l'enveloppe de protection ne doit pas présenter de trace de graisse et de lubrifiant.

L'enveloppe de protection doit être remplacée lorsque son épaisseur est inférieure à 2,5 mm.

Les modèles munis d'une enveloppe de protection peuvent être utilisés dans des températures comprises entre -20 °C et +60 °C.

Inspection de l'élingue chaîne

Vérifier régulièrement les élingues de chaîne conformément à la norme DIN 685-5. Remplacer lorsqu'elles sont usées à plus de 10 % de l'épaisseur nominale.

Vérifier l'élingue chaîne afin qu'il n'y ait pas de défauts externes, déformations, fissures superficielles, usure ou marques de corrosion. Une élingue chaîne déformée ou tordue doit être immédiatement remplacée.

FIXATION DE LA CHARGE

L'appareil de levage sur la suspension (crochet, manille, etc.) est abaissé pour que les pinces ouvertes entourent la charge, insérer l'ensemble de la charge entre les pinces. Installer les pinces sur la charge de façon à ce que son centre de gravité supposé soit perpendiculaire et au-dessous de l'oeillet de suspension.

Lever prudemment la charge maintenue par les machoires de serrage pour la transporter en toute sécurité. Après le transport, la suspension (crochet, manille, etc.) doit être abaissée jusqu'à ce que l'appareil de levage et/ou l'oeillet de suspension puissent être déplacés librement. Les mâchoires de serrage peuvent être relevées et la charge libérée des pinces.

INSPECTION / MAINTENANCE

En concordance avec les réglementations nationales et internationales relatives à la prévention des accidents et des règles de sécurité, les appareils de levage doivent être inspectés :

- conformément à l'évaluation des risques en fonction de l'entreprise utilisatrice.
- Avant la première utilisation.
- Avant la mise en service de l'appareil après un arrêt d'utilisation.
- Après des modifications substantielles.
- Au moins une fois par an par une personne compétente.

ATTENTION: Si les conditions d'utilisation (ex : utilisation en atmosphère agressive) sont plus difficiles, les inspections doivent être plus fréquentes.

Les réparations doivent être effectuées par un atelier agréé, qui utilise des pièces détachées TIGRIP d'origine. Les composants de l'appareil doivent être vérifiés (généralement la vérification consiste en une inspection visuelle et fonctionnelle) quant à leurs défauts, usure, corrosion ou autres irrégularités, et tous les dispositifs de sécurité doivent être testés quant à leur bon état et efficacité.

Les inspections initiales et suivantes doivent être enregistrées (ex : sur la documentation fournis par CMCO).

Si une assurance d'entreprise le demande, les résultats des inspections et des réparations doivent être vérifiés.

Les endroits où la peinture est détériorée ou absente doivent être repeints afin d'éviter les risques de corrosion. Tous les joints et les points de liaison doivent être légèrement lubrifiés.

En cas de contamination, l'appareil doit être entièrement décontaminé.

Les réparations doivent être effectuées seulement par des ateliers spécialisés utilisant des pièces de rechange TIGRIP d'origine.

Après avoir effectué des réparations ou après ne pas avoir utiliser le produit pendant une longue période, le palan doit être inspecté encore une fois avant de s'en servir à nouveau.

Les vérifications doivent être effectuées à l'initiative de l'entreprise d'exploitation.

TRANSPORT, STOCKAGE ET MISE HORS SERVICE

Respecter les points suivants lors du transport de l'appareil :

- Ne pas faire tomber ou jeter l'appareil, toujours le poser avec précaution.
- Utiliser un moyen de transport adapté en fonction des conditions d'utilisation sur site.

Respecter les points suivants lors du stockage ou de la mise hors service temporaire de l'appareil :

- Stocker l'appareil dans un endroit propre, sec et non gelé.
- Protéger l'appareil de la pollution, de l'humidité et d'autres détériorations au moyen d'une protection adaptée.
- Si l'appareil est à nouveau utilisé après une longue période de non utilisation, il doit tout d'abord être inspecté par une personne compétente.

Mise au rebut :

Après la mise hors service de l'appareil, recycler ou éliminer les pièces de l'appareil et, le cas échéant, les matériaux utilisés (lubrifiant, graisse, etc.) conformément aux dispositions légales.

Pour obtenir de plus amples informations et télécharger d'autres manuels, consulter notre site www.cmco.eu !

Beschreibung

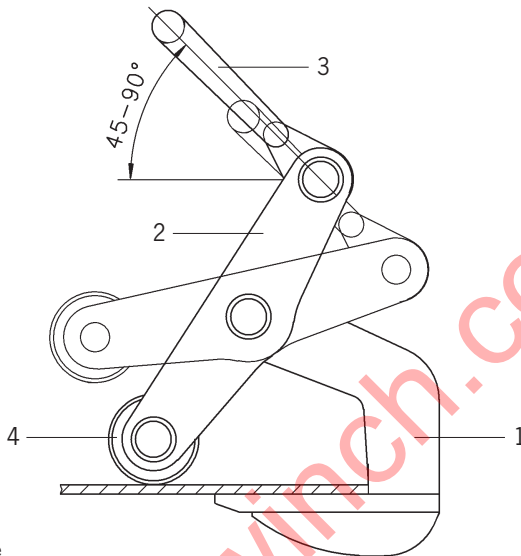
- 1 Grundkörper
- 2 Klemmarm
- 3 Aufhängeöse
- 4 Rolle oder Platte

Description

- 1 Body
- 2 Clamping arm
- 3 Hookring
- 4 Rollers or plate

Description

- 1 Corps
- 2 Bras
- 3 Anneau de suspension
- 4 Galet ou mâchoire dentée



Modell	Tragfähigkeit*	Greifbereich	Gewicht mit Rolle**	Gewicht mit Platte**
Model	Capacity*	Jaw capacity	Weight with rollers**	Weight with plate**
Modèle	Capacité*	Capacité de préhension	Poids avec galet**	Poids avec mâchoire dentée**
	[kg]	[mm]	[kg]	[kg]
TWH 30	1.500	5 - 60	5,6	5,7
TWH 50	2.500	10 - 70	10,3	10,3
TWH 70	3.500	10 - 80	13,4	13,5
TWH 100	5.000	10 - 102	27,7	27,8

*Pro Paar (Neigungswinkel bis max. 45°)

*Per pair (inclination angle up to 45°)

*Par paire (Angle d'ouverture 45°)

**Pro Stück

**Per unit

**Par unité

Tab. 1

www.hoistandwinch.co.uk

TIGRIP®



TIGRIP

ES - Instrucciones de Servicio Traducida (También valido para diseños especiales)

Garra horizontal

TWH

Columbus McKinnon Industrial Products GmbH

Yale-Allee 30

42329 Wuppertal

Germany



Índice

Introducción.....	33
Uso correcto	33
Uso incorrecto	34
Inspección antes del primer uso	36
Inspección antes de comenzar el trabajo	36
Uso del dispositivo de elevación.....	37
Inspección / Servicio.....	37
Transporte, almacenamiento, retirada del servicio y deshecho.....	38

www.hoistandwinch.co.uk

INTRODUCCIÓN

Los productos de CMCO Industrial Products GmbH han sido fabricados de acuerdo con los estándares de ingeniería más avanzados. Sin embargo, un manejo incorrecto de los productos puede originar peligro de muerte o de lesiones en los miembros en el usuario o en terceras personas así como dañar el polipasto u otra propiedad.

La compañía usuaria es responsable de la instrucción adecuada y profesional del personal usuario. Para este propósito, todos los operarios deben leer detenidamente estas instrucciones de funcionamiento antes del primer uso.

Estas instrucciones de funcionamiento pretenden familiarizar al usuario con el producto y permitirle usarlo al máximo de su capacidad. Las instrucciones de funcionamiento contienen información importante sobre como manejar el producto de forma segura, correcta y económica. Actuar de acuerdo a estas instrucciones ayuda a evitar peligros, reduce costos de reparación y tiempos de parada e incrementa la fiabilidad y la vida útil del producto. Las instrucciones de funcionamiento deben estar siempre disponibles en el lugar donde se está manejando el producto. Aparte de las instrucciones de funcionamiento y las regulaciones para prevención de accidentes válidas en el país o zona respectiva en la que ese está usando el producto, deben ser respetadas las normas comúnmente aceptadas para un trabajo seguro y profesional.

El personal responsable del manejo, y el mantenimiento o reparación del producto debe leer y comprender estas instrucciones de funcionamiento.

Las medidas de protección indicadas sólo darán la seguridad necesaria, si el producto es operado, instalado y mantenido de acuerdo a estas instrucciones. La compañía usuaria debe comprometerse a asegurar un manejo seguro y sin problemas del producto.

USO CORRECTO

Esta garra es utilizada para el transporte horizontal de planchas de metal normalizadas y paquetes de chapas que se pueden doblar ligeramente durante el transporte. La capacidad de la mordaza debe ser respetada (Tabla 1).

Cualquier uso diferente o excesivo es considerado como incorrecto. Columbus McKinnon Industrial Products GmbH no aceptará ninguna responsabilidad por cualquier daño resultante de este tipo de uso. El riesgo es asumido solamente por el usuario/empresa usuaria.

Esta garra es adecuada para todas las cargas de acero y otros materiales que puedan soportar las fuerzas ejercidas por el dispositivo y que puedan entra hasta el fondo de la boca de las mordazas.

La capacidad de carga indicada en la unidad es su carga máxima útil (CMU).

No permita al personal permanecer o pasar bajo una carga suspendida.

Una carga elevada o sujeta por la garra no debe ser dejada desatendida o permanecer en ese estado por un periodo largo de tiempo.

El operario debe empezar a mover la carga sólo después de que haya sido amarrada de forma correcta y todas las personas estén fuera de la zona de peligro.

Cuando se suspenda el equipo de elevación, el operario debe asegurarse que ni el equipo de elevación, ni el elemento de suspensión (por ejemplo el gancho, grillete, etc.) ni la carga suponen un peligro para él mismo u otras personas.

Antes del uso del equipo de elevación en ambientes especiales (alta humedad, salinidad, ambiente cáustico o alcalino) o en la manipulación de materiales peligrosos (por ejemplo materiales fundidos, materiales radioactivos) consulte con el fabricante.

Esta garra puede ser utilizada en temperaturas ambiente de entre -40°C y $+100^{\circ}\text{C}$.

Los modelos con revestimiento protector pueden ser usados en temperaturas de entre -20°C y $+60^{\circ}\text{C}$. Consulte con el fabricante en caso de condiciones de trabajo extremas.

Los sistemas de elevación de dos ramales son adecuados sólo para planchas pequeñas con poco peso, cuyo giro durante el transporte puede ser compensado de forma manual. Cuando se amarran las garras, hay que asegurarse que el centro de gravedad de la carga está en el centro de las dos garras de forma que no se origine una posición inclinada de la carga. En combinación con un balancín, dos juegos de sistemas de elevación de dos ramales son adecuados para todo tipo de aplicaciones.

Transporte siempre la carga lentamente, con cuidado y cerca del suelo.

Use solamente ganchos con pestillo de seguridad.

La anilla de suspensión de la garra debe tener el suficiente espacio en el gancho de la grúa y tener libertad de movimientos.

En caso de un mal funcionamiento, deje de usar la garra inmediatamente.

USO INCORRECTO

(lista incompleta)

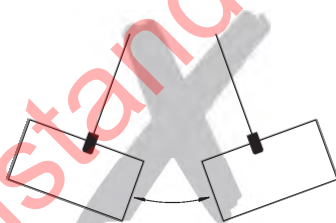
No exceda la carga nominal (CMU) de la unidad.

Sólo se deben coger las cargas que estén dentro de la capacidad de apertura de las mordazas. Las dimensiones mínimas de la carga deben ser siempre respetadas particularmente para aquellas garras en las que el mínimo no es 0.

Está prohibida cualquier modificación en la unidad.

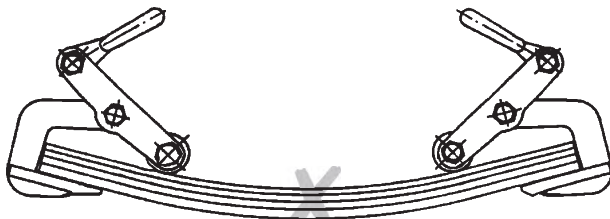
Está prohibido el uso de la garra para el transporte de personas.

Cuando se transporten cargas asegúrese que no se balancean o que no entran en contacto con otros objetos.

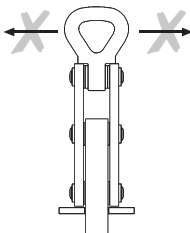


Sólo se puede transportar una plancha de metal o paquete de planchas con este dispositivo de elevación.

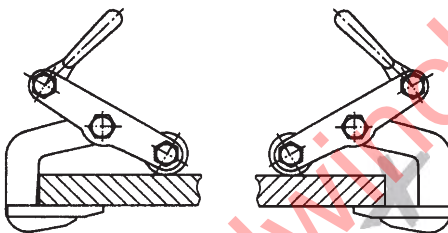
Está prohibido transportar planchas metálicas individuales o paquetes de planchas que estén sujetas a una deformación o combamiento grandes durante el transporte, ya que en este caso las planchas pueden salirse de la garra.



Está prohibido aplicar fuerzas laterales al dispositivo de elevación.

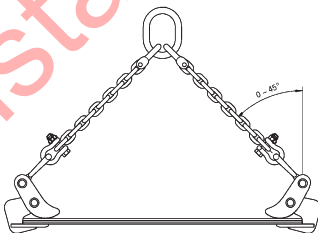


Inserte siempre la carga hasta el final en la boca de la garra.



No utilice el chasis para elevar otros dispositivos o para amarrar cargas a través de cables, eslingas o cadenas.

Las garras deben ser colocadas en la carga de forma que el ángulo β de inclinación nunca sea mayor de 45° .



Si se utilizan más de 2 dispositivos de elevación, se debe utilizar un balancín para evitar las fuerzas de tiro laterales.

No permita que la unidad caiga desde una gran altura.

La unidad no debe ser utilizada en atmósferas potencialmente explosivas.

INSPECCIÓN ANTES DEL PRIMER USO

De acuerdo a las normativas nacionales e internacionales de prevención de accidentes los dispositivos de elevación se deben inspeccionar:

- de acuerdo con la evaluación de riesgo de la empresa usuaria,
- antes del primer uso,
- antes de que la unidad sea puesta en servicio otra vez después de una parada
- después de cambios sustanciales.
- de todas formas, por lo menos una vez al año, por una persona cualificada.

ATENCIÓN: *Las condiciones de funcionamiento reales (por ejemplo, uso en zonas de galvanizado) pueden dictaminar intervalos más breves entre las inspecciones.*

Los trabajos de reparación sólo pueden ser llevados a cabo por un taller especializado que utilice piezas de repuesto originales TIGRIP. La inspección (consistente principalmente en una comprobación visual y funcional) debe determinar que todos los dispositivos de seguridad funcionan plenamente y debe comprobar el estado de la unidad, la suspensión, el equipamiento y la estructura de soporte con respecto a daños, desgaste, corrosión y otras alteraciones.

El funcionamiento inicial y las inspecciones recurrentes deben ser documentadas (por ejemplo en el certificado de conformidad de CMCO).

Los daños en la pintura deben ser reparados para evitar la corrosión. Todas las articulaciones móviles y superficies de rozamiento deben estar ligeramente aceitadas. En caso de contaminación fuerte, la unidad debe ser limpiada.

INSPECCIÓN ANTES DE COMENZAR EL TRABAJO

Compruebe toda la garra en busca de daños, rajaduras o deformaciones. La garra debe abrirse y cerrarse fácil y libremente.

Dispositivo de elevación con revestimiento protector (opcional)

La superficie del revestimiento protector debe estar libre de grasa y aceite.

El revestimiento protector debe ser sustituido si su grosor es menor de 2.5 mm.

Los modelos con revestimiento protector pueden ser utilizados a temperaturas de entre -20 °C y +60 °C.

Comprobación de la eslinga de cadena

Las eslingas de cadena deben ser inspeccionadas en intervalos regulares de acuerdo a la normativa DIN 685-5. Deben ser sustituidas en el caso de que sufran un desgaste superior al 10% del grosor nominal de los eslabones de cadena.

Las eslingas de cadena deben ser comprobadas en busca de defectos externos, deformaciones, rajaduras, desgaste y picaduras.

Una cadena estirada o gastada debe ser reemplazada.

USO DEL DISPOSITIVO DE ELEVACIÓN

El dispositivo de elevación de la suspensión (por ejemplo gancho, grillete, etc.) es bajado de forma que las garras abiertas puedan ser empujadas en la carga hasta que ésta hay entrado completamente en la boca de las mordazas. Para este propósito, las garras han de ser situadas en la carga de tal manera que el centro de gravedad de la carga que va ser transportada esté debajo en perpendicular de la anilla de suspensión del sistema de elevación.

Tras comenzar la elevación con cuidado y despacio, las mordazas de apriete o los rodillos ejercerán presión contra la carga y ésta podrá ser movida con total seguridad. Al final de la operación de transporte, la suspensión (por ejemplo gancho, grillete, etc.) debe ser bajada hasta que la garra esté completamente libre de carga y/o la anilla de suspensión pueda moverse libremente. Las mordazas de apriete pueden ser levantadas en este momento y las garras se pueden retirar de la carga.

INSPECCIÓN / SERVICIO

De acuerdo a las normativas nacionales e internacionales de prevención de accidentes los equipos de elevación se deben inspeccionar:

- de acuerdo con la evaluación de riesgo de la empresa usuaria,
- antes del primer uso,
- antes de que la unidad sea puesta en servicio otra vez después de una parada
- después de cambios sustanciales.
- de todas formas, por lo menos una vez al año, por una persona cualificada.

ATENCIÓN: Las condiciones de funcionamiento reales (por ejemplo, uso en zonas de galvanizado) pueden dictaminar intervalos más breves entre las inspecciones.

Los trabajos de reparación sólo pueden ser llevados a cabo por un taller especializado que utilice piezas de repuesto originales TIGRIP. La inspección (consistente principalmente en una comprobación visual y funcional) debe determinar que todos los dispositivos de seguridad funcionan plenamente y debe comprobar el estado de la unidad, la suspensión, el equipamiento y la estructura de soporte con respecto a daños, desgaste, corrosión y otras alteraciones.

El funcionamiento inicial y las inspecciones recurrentes deben ser documentadas (por ejemplo en el certificado de conformidad de CMCO).

Si es solicitado los resultados de las inspecciones y de las reparaciones han de ser verificados.

Los daños en la pintura deben ser reparados para evitar la corrosión. Todas las articulaciones móviles y superficies de rozamiento deben estar ligeramente lubricadas. En caso de contaminación fuerte, la unidad debe ser limpiada.

Las reparaciones sólo pueden ser llevadas a cabo por talleres especializados que usen piezas de repuesto TIGRIP originales.

Después de que se hayan llevado a cabo reparaciones y después de periodos de tiempo prolongados sin uso, el dispositivo de elevación debe ser inspeccionado otra vez antes de ser puesto en servicio de nuevo.

Las inspecciones deben ser iniciadas por la empresa usuaria.

TRANSPORTE, ALMACENAMIENTO, RETIRADA DEL SERVICIO Y DESHECHO

Respete lo siguiente para el transporte de la unidad:

- No deje caer tire la unidad, deposítela siempre con cuidado.
- Use medios de transporte adecuados. Esto depende de las condiciones locales.

Respete lo siguiente para el almacenamiento o la retirada temporal del servicio de la unidad:

- Almacene la unidad en un sitio limpio y seco donde no haya hielo.
- Proteja la unidad contra la contaminación, humedad y daños con una cubierta o funda adecuada.
- En caso de reutilizar la garra despues de retirar del servicio, se debe inspeccionar otra vez antes de ser puesto en servicio por una persona cualifi cada.

Deshecho:

Después de retirar la unidad del servicio, recicle o deshágase de las piezas de la unidad y, si es aplicable, el material de funcionamiento (aceite, grasa, etc.) de acuerdo a la normativa legal.

¡Puede encontrar más información e instrucciones de funcionamiento para su descarga en www.cmco.eu!

Beschreibung

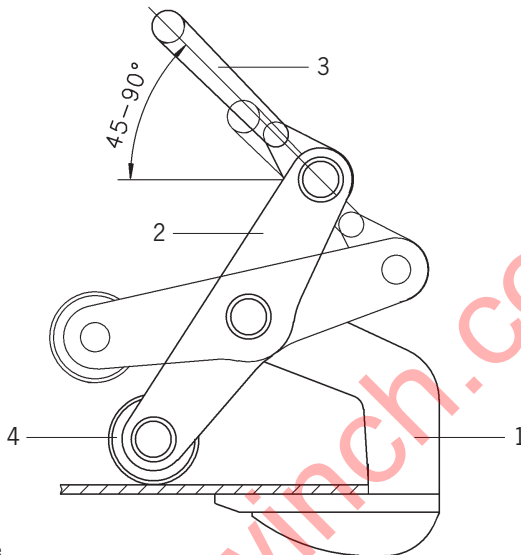
- 1 Grundkörper
- 2 Klemmarm
- 3 Aufhängeöse
- 4 Rolle oder Platte

Description

- 1 Body
- 2 Clamping arm
- 3 Hookring
- 4 Rollers or plate

Description

- 1 Corps
- 2 Bras
- 3 Anneau de suspension
- 4 Galet ou mâchoire dentée



Modell	Tragfähigkeit*	Greifbereich	Gewicht mit Rolle**	Gewicht mit Platte**
Model	Capacity*	Jaw capacity	Weight with rollers**	Weight with plate**
Modèle	Capacité*	Capacité de préhension	Poids avec galet**	Poids avec mâchoire dentée**
	[kg]	[mm]	[kg]	[kg]
TWH 30	1.500	5 - 60	5,6	5,7
TWH 50	2.500	10 - 70	10,3	10,3
TWH 70	3.500	10 - 80	13,4	13,5
TWH 100	5.000	10 - 102	27,7	27,8

*Pro Paar (Neigungswinkel bis max. 45°)

*Per pair (inclination angle up to 45°)

*Par paire (Angle d'ouverture 45°)

**Pro Stück

**Per unit

**Par unité

Tab. 1

www.hoistandwinch.co.uk

TIGRIP®



TIGRIP

NL - originele gebruiksaanwijzing (geldt ook voor speciale modellen)

hefkleem

TWH

Columbus McKinnon Industrial Products GmbH

Yale-Allee 30

42329 Wuppertal

Germany

CMC
COLUMBUS MCKINNON

Inhoud

Introductie.....	43
Correct Gebruik	43
Incorrect Gebruik.....	44
Inspectie voor Ingebruikname	46
Inspectie voor Werkaanvang	46
Gebruik van het Hijshulpmiddel	47
Inspecties / Onderhoud.....	47
Transport, Opslag en Verwijdering.....	48

www.hoistandwinch.co.uk

INTRODUCTIE

De producten van CMCO Industrial Products GmbH zijn vervaardigd naar de laatste stand der techniek en algemeen erkende normen. Door ondeskundig gebruik kunnen desondanks gevaren ontstaan voor lijf en leven van de gebruiker of derden evenals beschadigingen aan het hijsmiddel of andere zaken. De gebruikers moeten voor eerste gebruik geïnstrueerd worden. Hiervoor moeten alle gebruikers deze handleiding zorgvuldig lezen.

Deze handleiding is bedoeld om het product te leren kennen en zijn capaciteiten optimaal te kunnen benutten. De handleiding bevat belangrijke informatie om het product veilig, correct en economisch te kunnen gebruiken. Het naleven hiervan helpt om gevaren te vermijden, reparatiekosten en downtimes te verminderen en de betrouwbaarheid en levensduur van het product te verhogen. Deze handleiding moet altijd op de gebruikslocatie beschikbaar zijn. Naast de handleiding en de plaatselijk geldende ongevallenpreventie voorschriften moeten ook de algemeen erkende regels voor veilig en professioneel gebruik in acht worden genomen.

Het personeel dat het apparaat bedient, onderhoudt of repareert moet deze handleiding lezen, begrijpen en opvolgen.

De beschreven maatregelen leiden alleen tot het vereiste niveau van veiligheid, als het product gebruikt wordt in overeenstemming met de bestemming en geïnstalleerd c.q. onderhouden wordt volgens de instructies. De eigenaar is verplicht om een betrouwbare en veilige werking te garanderen.

CORRECT GEBRUIK

Het hijs hulpmiddel dient voor het vervoer van individuele liggende standaard platen en plaatbundels, die niet aanzienlijk doorbuigen tijdens het vervoer. Hierbij moet het greepbereik in acht worden genomen (tabel 1).

Elk ander of overschrijdend gebruik wordt beschouwd als onjuist. Columbus McKinnon Industrial Products GmbH aanvaardt geen aansprakelijkheid voor schade als gevolg van dergelijk gebruik. Het risico wordt uitsluitend gedragen door de gebruiker/het uitvoerend bedrijf.

Het hijs hulpmiddel is geschikt voor het heffen van goederen gemaakt van staal en andere materialen die bestand zijn tegen de krachten waaraan ze worden blootgesteld door het hijs hulpmiddel en die tot in de bodem van de bekkenopening passen.

De op het apparaat aangegeven capaciteit (WLL) is gelijk aan de maximale last die mag worden bevestigd.

Het is verboden om zich onder de last te begeven.

Lasten niet gedurende een langere periode of zonder toezicht in een geheven of gespannen toestand laten.

De gebruiker mag pas beginnen met het verplaatsen van de last als hij zich ervan heeft overtuigd dat de last goed is bevestigd en dat er zich geen personen in de gevarezone bevinden.

Bij het inhangen van het hijs hulpmiddel dient de gebruiker ervoor te zorgen dat het hijs hulpmiddel zo bediend kan worden dat de gebruiker noch door het apparaat zelf, noch door het hijs hulpmiddel of de last in gevaar komt.

Voordat u het hijs hulpmiddel kunt gebruiken in speciale omgevingen (hoge luchtvochtigheid, zout, corrosief, chemisch) of voor het verplaatsen van gevaarlijke goederen (bijvoorbeeld gesmolten stoffen, radioactief materiaal) moet er overleg gepleegd worden met de fabrikant.

Het hijs hulpmiddel kan worden gebruikt bij een omgevingstemperatuur tussen -40° C en +100° C.

Uitvoeringen met beklede armen kunnen gebruikt worden tussen -20° C en +60° C. Bij extreme omstandigheden dient de fabrikant geraadpleegd te worden.

Een tweebeinig aanslagmiddel is alleen geschikt voor kleine platen met gering gewicht, waarbij het zwaaien tijdens het transport kan worden gecompenseerd met de hand. Wanneer het hijs hulpmiddel bevestigd wordt, moet worden gezorgd dat het zwaartepunt van de last zich in het midden bevindt tussen de hijs hulpmiddelen zodat deze niet scheef hangt. Als daarbij een traverse wordt gebruikt zijn 2 sets van tweebeinige grijpers universeel inzetbaar.

De last moet altijd langzaam, voorzichtig en dicht bij de grond verplaatst worden.

Alleen kraanhaken met veiligheidskleppen mogen worden gebruikt.

Het ophangoog van het hijs hulpmiddel moet genoeg ruimte in de kraanhaak hebben en vrij kunnen bewegen.

Bij defecten moet het hijs hulpmiddel meteen buiten gebruik gesteld worden.

INCORRECT GEBRUIK

(incomplete lijst)

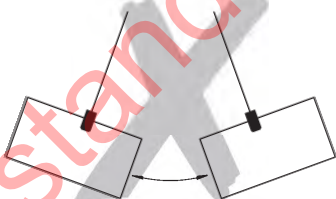
De capaciteit (WLL) mag niet worden overschreden.

Er kunnen alleen lasten worden gehesen die zich binnen het grijpbereik van het hijs hulpmiddel bevinden. Met name bij hijs hulpmiddelen waarbij het grijpbereik niet bij 0 begint zijn de minimale afmetingen van de last in acht te houden.

Elke verandering aan het hijs hulpmiddel is verboden.

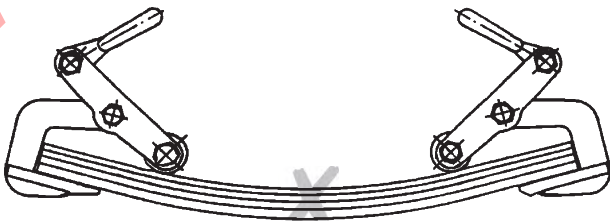
Het is verboden om het hijs hulpmiddel te gebruiken voor het vervoer van personen.

Tijdens het verplaatsen van de last mag deze niet slingeren (fig. 1) of in contact komen met andere objecten.

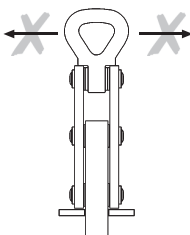


Met het hijs hulpmiddel mag maar één staalplaat of staalplaatbundel per keer worden getransporteerd.

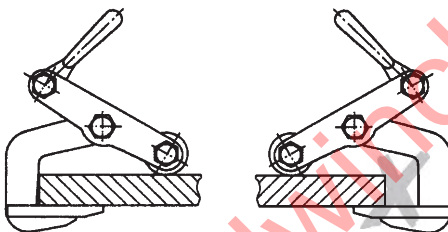
Het is verboden om individuele staalplaten of bundels van staalplaten die ver doorbuigen te transporteren anders kan de last uit de grijper glijden



Het is verboden om zijdelingse krachten op het hijs hulpmiddel uit te oefenen.

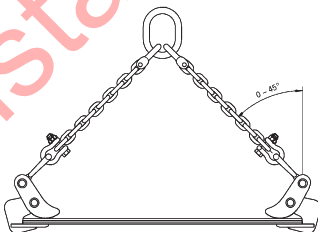


Plaats de last volledig in de bekkenopening.



Nooit de behuizing gebruiken voor het optillen van andere hijs hulpmiddelen of om er andere lasten aan vast te maken met kabels, stropen of kettingen.

De klemmen moeten zodanig worden aangebracht op de last dat de hellingshoek β nooit groter is dan 45° .



Voor het gebruik met meer dan twee hijs hulpmiddelen is het gebruik van een traverse verplicht om zijdelingse krachten te vermijden.

Het hijs hulpmiddel niet van grote hoogte laten vallen.

Het apparaat niet in explosiegevaarlijke omgevingen gebruiken.

INSPECTIE VOOR INGEBRUIKNAME

Volgens de bestaande nationale/internationale ongevalpreventie c.q. veiligheidsvoorschriften moeten hijs hulpmiddelen geïnspecteerd worden:

- naar gevarenbeoordeling van de eigenaar,
- voor eerste ingebruikname,
- voor heringebruikname na een periode van buitengebruikstelling,
- na fundamentele veranderingen,
- maar in ieder geval 1 x per jaar door een bevoegd persoon.

LET OP: bij uitzonderlijke bedrijfsomstandigheden (bv. bij galvaniseringsprocessen) kunnen kortere keuringsintervallen noodzakelijk zijn.

Reparaties mogen alleen worden uitgevoerd door gespecialiseerde bedrijven die originele TIGRIP onderdelen gebruiken. De componenten van het apparaat moeten worden geïnspecteerd (in het algemeen bestaand uit een visuele en functionele inspectie) op gebreken, slijtage, corrosie of andere onregelmatigheden, en alle veiligheidsvoorzieningen moeten worden getest op hun goede conditie en werking. De inbedrijfstelling en de periodieke controles moeten worden gedocumenteerd (bv. in een CMCO keuringsboekje). De resultaten van inspecties en de juiste uitvoering van reparaties moeten op verzoek kunnen worden getoond. Lakbeschadigingen moeten worden bijgewerkt om corrosieschade te voorkomen. Alle bewegende en glijdende delen moeten licht worden gesmeerd. Bij sterke vervuiling moet het apparaat gereinigd worden.

INSPECTIE VOOR WERKAANVANG

Het gehele hijs hulpmiddel moet op beschadigingen, scheuren en vervormingen worden gecontroleerd.

Het hijs hulpmiddel moet makkelijk geopend en gesloten kunnen worden.

Hijshulpmiddel met bekleding (optioneel)

De oppervlakken van de bekleding moet vrij zijn van vet en olie.

De bekleding vervangen bij een dikte van minder dan 2,5 mm.

Uitvoeringen met een bekleding kunnen worden gebruikt bij een omgevingstemperatuur tussen de -20° C en +60° C.

Inspectie van de ketting tweesprong

Controleer de ketting tweesprongen regelmatig volgens de DIN 685-5 norm.

Vervang ze als de schalmen met meer dan 10% van de nominale dikte versleten zijn.

Ketting tweesprongen moeten worden gecontroleerd op beschadiging, vervorming, scheuren, slijtage en corrosie.

Een uitgerekte of versleten ketting moet worden vervangen.

GEBRUIK VAN HET HIJSHULPMIDDEL

Het hijshulpmiddel, bevestigd aan het hijsmiddel, laten zakken totdat de geopende bekken compleet om de last heen zitten tot achterin de opening van de grijper. De grijper zo op de last aanbrengen dat het veronderstelde zwaartepunt zich loodrecht onder het ophangoog bevindt. Voorzichtig de door de bekken geklemde last optillen om deze veilig te transporteren. Laat aan het einde van het transport het hijsmiddel zakken totdat het hijshulpmiddel en/of ophangoog volledig loshangt en vrij kan worden verplaatst. De klembekken kunnen worden opgetild en de grijpers kunnen van de last worden gehaald.

INSPECTIES / ONDERHOUD

Volgens de bestaande nationale en internationale ongevalpreventie c.q. veiligheidsvoorschriften moeten hijshulpmiddelen geïnspecteerd worden:

- naar gevarenbeoordeling van de eigenaar,
- voor eerste ingebruikname,
- voor heringebruikname na een periode van buitengebruikstelling,
- na fundamentele veranderingen,
- maar in ieder geval 1 x per jaar door een bevoegd persoon.

LET OP: bij uitzonderlijke bedrijfsomstandigheden (bv. bij galvaniseringsprocessen) kunnen kortere keuringsintervallen noodzakelijk zijn.

Reparaties mogen alleen worden uitgevoerd door gespecialiseerde bedrijven die originele TIGRIP onderdelen gebruiken. De componenten van het apparaat moeten worden geïnspecteerd (in het algemeen bestaand uit een visuele en functionele inspectie) op gebreken, slijtage, corrosie of andere onregelmatigheden, en alle veiligheidsvoorzieningen moeten worden getest op hun goede conditie en werking.

De inbedrijfstelling en de periodieke controles moeten worden gedocumenteerd (bv. in een CMCO keuringsboekje).

De resultaten van inspecties en de juiste uitvoering van reparaties moeten op verzoek kunnen worden getoond.

Lakbeschadigingen moeten worden bijgewerkt om corrosieschade te voorkomen. Alle bewegende en glijdende delen moeten licht worden gesmeerd. Bij sterke vervuiling moet het apparaat gereinigd worden.

Reparaties mogen alleen worden uitgevoerd door gespecialiseerde bedrijven die originele TIGRIP onderdelen gebruiken.

Nadat reparaties zijn uitgevoerd en na langere periodes van buiten gebruikstelling, moet het hijshulpmiddel geïnspecteerd worden alvorens het opnieuw in gebruik te nemen.

De inspecties moeten door de eigenaar in werking worden gesteld.

TRANSPORT, OPSLAG EN VERWIJDERING

Neem het volgende in acht bij het vervoer van het apparaat:

- Niet laten vallen of er mee gooien, altijd voorzichtig neerzetten.
- Gebruik passende vervoersmiddelen. Dit hangt af van de plaatselijke omstandigheden.

Bij opslag of tijdelijke buitengebruikstelling van het apparaat moeten de volgende punten in acht worden genomen:

- Bewaar het apparaat op een vorstvrije, schone, droge plaats.
- Bescherm het apparaat, met inbegrip van alle bijbehorende onderdelen, tegen vuil, vocht en schade door middel van een geschikte afdekking.
- Als het apparaat weer wordt gebruikt na een langere buitengebruikstelling, moet deze geïnspecteerd worden door een vakbekwaam persoon.

Verwijdering:

Na de definitieve buitengebruikstelling van het apparaat, deze compleet of in delen recyclen en, indien van toepassing, de gebruikte smeermaterialen (olie, vet, enz.) overeenkomstig de wettelijke bepalingen verwijderen.

Meer informatie en downloadbare handleidingen zijn beschikbaar op www.cmco.eu!

Beschreibung

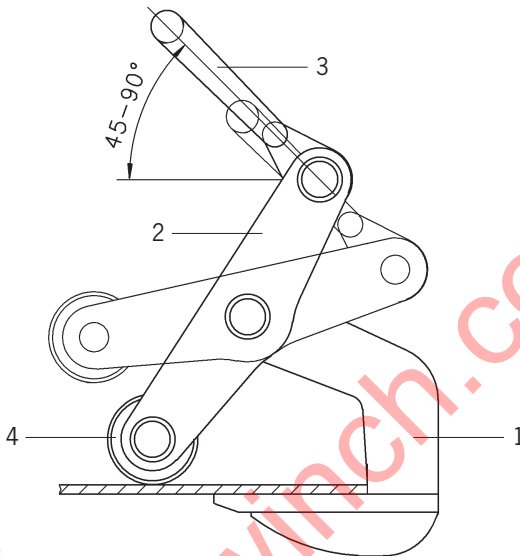
- 1 Grundkörper
- 2 Klemmarm
- 3 Aufhängeöse
- 4 Rolle oder Platte

Description

- 1 Body
- 2 Clamping arm
- 3 Hookring
- 4 Rollers or plate

Description

- 1 Corps
- 2 Bras
- 3 Anneau de suspension
- 4 Galet ou mâchoire dentée



Modell	Tragfähigkeit*	Greifbereich	Gewicht mit Rolle**	Gewicht mit Platte**
Model	Capacity*	Jaw capacity	Weight with rollers**	Weight with plate**
Modèle	Capacité*	Capacité de préhension	Poids avec galet**	Poids avec mâchoire dentée**
	[kg]	[mm]	[kg]	[kg]
TWH 30	1.500	5 - 60	5,6	5,7
TWH 50	2.500	10 - 70	10,3	10,3
TWH 70	3.500	10 - 80	13,4	13,5
TWH 100	5.000	10 - 102	27,7	27,8

*Pro Paar (Neigungswinkel bis max. 45°)

*Per pair (inclination angle up to 45°)

*Par paire (Angle d'ouverture 45°)

**Pro Stück

**Per unit

**Par unité

Tab. 1