

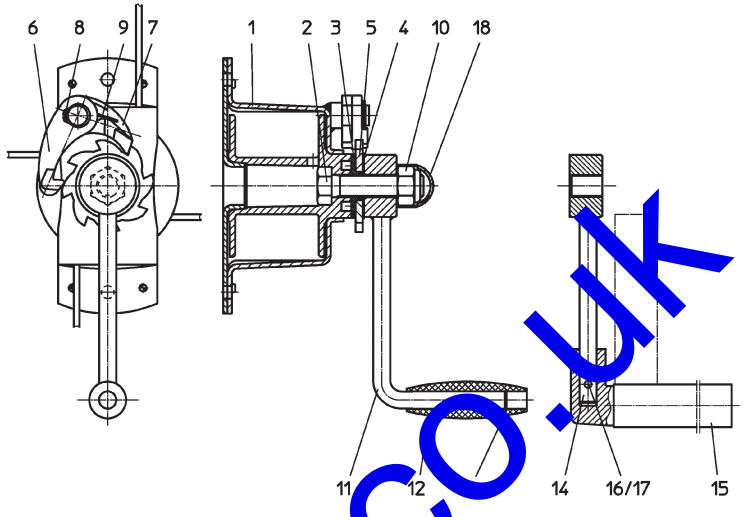








Typ 421.0,08 + Typ 4210.0,125						
O/N°	203 717	203 718	210712			
1	111 155	111 155	131 684			1
2	140 050	140 050	140 049	M 16 x 65	ISO 4017	1
3	113 199	113 199	113 199			1
4	111 034	111 034	111 034			1
5	111 033	111 033	131 694			1
6	115 082	115 082	133 033			1
7	115 081	115 081	-			1
8	100 722	100 722	140 095	A 14 x 1	DIN 471	1
9	101 137	101 137	-			1
10	101 675	101 675	101 481	M 16	DIN 985	1
11	113 196	113 198	131 690			1
12	102 548	102 548	-			1
13	101 211	101 211	-	B 12	DIN 7993	1
14	113 559	113 195	-			1
15	110 434	110 434	-			1
16	106 934	106 934	-	5 x 24	ISO 8752	1
17	100 180	100 180	-	3 x 24	ISO 8752	1
18	100 300	100 300	100 300	GPN 1000/1075		1



EU Installation Declaration		haacon hebetechnik gmbh Josef-Haamann-Strasse 6 D-97896 Freudenberg/Mei	<b>haacon</b> group
<b>Manufacturer:</b>	haacon hebetechnik gmbh Josef-Haamann-Strasse 6 D-97896 Freudenberg/Mei	Phone +49 (0) 9375 / 84-0 Fax +49 (0) 9375 / 8466	
The product			
<b>Product name:</b>	Hand rope winches		
<b>Type:</b>	220	241	420
	4210	4215	4230
	4491	4585	4751
	KWE	Tango	WA
	462	468	4060
	284	4321	4471
	4821	4843	4862
			209480
			KWV
<b>Load capacity range:</b>	0,05 – 3 t		
conforms with the basic requirements of the directive <b>Machines (2006/42/EG)</b>			
Appendix I, article			
1.1.2	Basic for the integration of safety		
1.1.3	Materials and products		
1.1.5	Construction of the machine regarding its handling		
1.3.2	Risk of breakage during operation		
1.3.4	Risks by surface, edges and corners		
1.3.7	Risks caused by moving parts		
1.3.9	Risk of uncontrolled movements		
1.7	Information		
4.1.1	Protective measures against mechanical hazards		
1.3.3	Machines to lift loads		
4.1	Operating instructions		
The product is an incomplete machine as per machine directive (2006/42/EG). The product must not be taken into operation until it is determined that the machine, in which it is to be installed conforms with the machine directive (2006/42/EG).			
If the product is changed significantly, it will lose this conformity declared by the manufacturer.			
The manufacturer agrees to submit the specific documentation pertaining to this product to individual state institutions electronically, if so requested.			
The specific technical documentation as outlined in Appendix VII Part B were compiled.			
<b>Responsible for the documentation:</b> Construction			
<b>Signed by:</b>			
	Freudenberg, 30.07.2013		
		on behalf of Robert Miltenberger	on behalf of Theo Müller
<b>gb</b>	Edition 5; 07/13	092079 of 30.07.2013	

H:\lbs\Managementsystem\formulare\100021 einbauerklärung .doc erstellt: hck-cd; Stand: 18.03.13